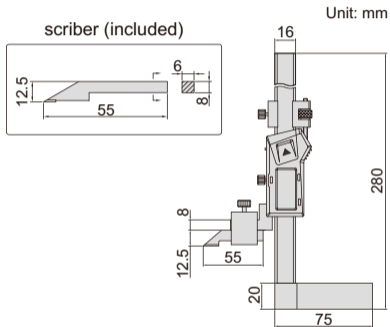


DATA  
OUTPUT

ATTENTION: CAN NOT USE CLAMP  
FOR PROTRACTORS (CODE 2372-CLAMP)

## DIGITAL HEIGHT GAGES (NON-WATERPROOF)

- Resolution: 0.01mm/0.0005"
- Buttons: on/off, zero, mm/inch
- Automatic power off, move the digital unit to turn on power
- Carbide tipped scriber
- With fine adjustment
- Made of stainless steel
- Battery CR2032
- Data output
- Optional accessory: data output cable (code **7315-**, **7302-**, **7305-**, for height gages without built-in wireless), dial test indicator holder (code **7151-CL1**)



1154-150

dial test indicator holder (optional)

